



- WHITEPAPER -

rev. 1.1 / January 2018

EXECUTIVE SUMMARY

What is TheMine ?

TheMine.io is a self-expanding fully tokenized cryptocurrency mining operation. Our business model consists of deploying, maintaining and making the most out of mining hardware clusters. Operations are conducted at industrial scale, with corporate business standards in mind and the best interests of our contributors at heart.

Our enterprise is based in Europe, inside the European Union and within NATO borders. The main facility is located in the central part of Romania, inside a large former industrial platform of the late communist era. Electricity is cheap and the potential for expansion is virtually limitless, with huge untapped power reserves, vast dormant infrastructure and plenty of unused warehouse space.

The operation will be open for visitation upon request and every important step in our journey will be thoroughly documented, blogged, photographed, filmed and recorded for everyone's enjoyment and peace of mind.

The team behind TheMine.io has been building private mining data rooms and standalone mining rigs full time since 2014. Now we are ready to launch our own crowdfunded public mining project, the most ambitious of its kind to date.

TheMine is open for contributions exclusively during token offering sessions, which take place before pre-defined new mining hardware deployment stages. In order to fund the operation, MiNE tokens will be issued. These will be transferrable and live tradable on exchanges shortly after token sale concludes.

MiNE tokens are security tokens, distributing net mining results on a monthly basis. Token holders will receive the greater part of net mining results, while the rest will be reinvested. Aside from generating mined coins regularly, the underlying mining power is also constantly expanded and upgraded through automatic reinvestment, ensuring that computational performance remains relevant versus ever increasing network difficulty and that tokens are constantly geared towards appreciating in value.

The MiNE token clearly has its value tied to the performance of our parent project, thus making it one of the pioneers of the MaaS("Mining-as-a-service") business model.



TABLE OF CONTENTS

Executive Summary	2
Table of contents	3
1. Introduction	4
2. Current Market Conditions	6
3. Vision and Motivation	7
4. MiNE Tokens (MiNE)	8
5. Why Mine with a Token?	9
6. Mining Strategy	11
7. Mining Results and Distribution	12
8. New Hardware Deployment Stages	14
9. Facilities & Infrastructure	15
10. Technology & Innovation	16
11. Service Comparison	18
12. Transparency & Community Involvement	19
13. Initial Token Sale (MiNE ICO)	20
14. Future Development	22
15. Contingency Plan	24





1. INTRODUCTION

From industrial estates to office building basements and college dorm rooms, crypto mining has permeated society with astonishing demographic variation. The main reason is easy to predict: the inherent potential for large financial profits is the main driver for this otherwise prohibitively technical endeavour, which is now snowballing to global proportions.

The whole ecosystem and its huge potential are preparing for the stage of mass adoption and exponentially more and more people are becoming cryptocurrency investors, traders or miners every day. Nay-sayers find their followers increasingly hard of hearing with every higher high Bitcoin makes and with every new billion the crypto markets draw in, the electronic coins become harder and harder to resist.

All the accelerated development we are witnessing now is sustained and secured from a purely technical, infrastructural standpoint, predominantly by proof-of-work blockchain protocols, such as the ones underpinning Bitcoin, Ethereum and Litecoin. Proof-of-work protocols will always require miners to perform the work and secure the network and miners will always need to be incentivized to apply themselves and their resources.

Over the past few years, crypto-currency mining has generated some impressive fortunes for those who were lucky enough to enter at the right time and never look back or for those who were resilient and dedicated enough to weather the more difficult moments. However, life for the amateur miner and cloud contract client hasn't been all that great.



We know that crypto-currency mining can be very profitable if done right and if the correct mindset is in place. In our opinion, mining should be viewed as a safe way of investing in cryptocurrencies and as a way to balance and diversify a crypto portfolio. It is worth mentioning that mining also makes it harder for the “newly anointed investor” to fall victim to the temptation of gambling or to panic, fear or market manipulation attempts.

We can go as far as saying that mining is the best way to start investing in crypto-currencies, as it sets in place a few boundaries and limitations that are very useful to the formation of healthy investment habits.

At present, a high efficiency 7-GPU mining rig DIY building effort would end up costing an enduser around \$4500. This being said, you would still have to source all hardware and parts, build, configure, optimize and debug the whole machine, which can be a long and painstaking process even for the technically inclined. Even if all the steps are done correctly and thoroughly, one would still be left with a noisy, heat generating machine in the living room or office.

We want to handle all the messy parts for you, so your trust in the cryptocurrency ecosystem can generate results without turning into a frustrating burden.



*As cliché as it may sound, **the happiness of our community** will be the most important indicator of success and will ultimately be the redeeming factor in this highly competitive niche, perhaps even from a regulatory and legal point of view.*



2. CURRENT MARKET CONDITIONS

We wonder how it is possible that this whole industry, founded on principles of mass empowerment, currently makes it so difficult for individuals to profit by sustaining it. The reality is that public mining services are very lucrative business, which benefit from a lack of real, wholesome competitiveness, driven by product improvement.

Having actively monitored the market over the last few years, we couldn't help noticing the lack of flexibility and even a tendency for centralization of large scale mining operations. If the principles that made us commit are based on new possibilities for independence, then the profits from doing the required work should be easier to access.



All big players are making a killing and most potential contenders are either too disorganized, lack the necessary competencies or are only after a quick profit. Being driven, tech-savvy and economically-minded really makes a world of difference. Furthermore, being able to benefit from economy-of-scale pricing and discounts also impacts mining profits more than one would initially expect.

Large mining operations are obviously playing the fat cat game and if we all just stand by and watch, this is going to be just one more branch of heavy industry, not at all more special than chemicals or plastics. Well, we beg to differ! Efforts made in the spirit of decentralization should keep their resulting profits easily accessible, not shrouded in secrecy or trickled away through clever marketing techniques or “ninja” fee systems.

Whether we are talking about purchasing 10+ years' worth of services or 12+ months contract periods, in today's lightning-fast world of crypto currency mining, you can't really know what it is you're actually getting for your money.



That being said, mining is by no means an impossible endeavour and here is where we saw a great opportunity to innovate, “re-decentralize” and profit.



3. VISION AND MOTIVATION

We believe we can achieve great success with this project by truly decentralizing mining profits and thus bringing the whole idea back full circle, to its roots and core principles of mass empowerment and independence.

Our experience so far has shown that the only way to remain competitive and achieve the desired results is by never stopping the research, by not letting mistakes or misfortune numb our senses and by being quick on our feet in the face of failure. There is no other secret path for obtaining worthwhile results.



We are dedicated to making TheMine a truly awesome project and MiNE tokens an accurate representative of mining done the right way. While we are ready to bring a few innovations to the table, in our opinion, the most relevant will be the social involvement aspect. We want our community to be part of the development process and we will document every step of the journey in as much vivid detail as possible.



4. MINE TOKENS (MiNE)

MiNE tokens will be issued on the Ethereum Platform and will entitle token holders to receive mining results. New tokens will be issued every time we are ready to accommodate fresh capital inflow into our operation and expand hardware capabilities and infrastructure. MiNE tokens will distribute mining results on a monthly basis, which will be split between token holders, expenses, company revenue and reinvestment, as described under “Mining Results and Distribution”.

MiNE tokens will represent the bearer’s right to the monthly mining reward share and do not represent a stake or voting rights in the company. Each initial MiNE token will be distributed for every \$1 or equivalent value contributed during token sale. We have chosen to tie MiNE tokens directly to fiat value because it is the only reliable variable in the vast mining equation. More specifically, a dollar invested in mining at any time in the last few years would have generated roughly the same expectations for its owner.

For example, during the time it took us to design this project, break even estimates on ETH mining varied between 5 and 20 months. But this has always been the case with mining, at least for already established miners’ coins, such as BTC, ETH, LTC are now.

However, what you could have mined with \$1 in the early days of Bitcoin or Ethereum is a different story. Imagine how easily Bitcoin was being mined in the beginning if the first BTC purchase in history was the acquisition of 2 pizzas for the price of 10,000 Bitcoins in 2010. At today’s valuation of \$100+ million, we can only call this transaction a full blown acquisition. May 22nd is Bitcoin Pizza Day, by the way. This level of rocketing price action is what we are attempting to capture by dedicating a small share of available mining power to “coin sniping”.

Judging by most pertinent ecosystem overviews and predictions, a vast number of future successful tokens are still in the making. Statistically, mining all promising emerging coins early on has a very high likelihood to grant more than a few breath-taking price action movements on targeted coins. And while it is not possible for us to quantify or give estimates as to what sort of returns including coin sniping into our mining strategy will have on our portfolio and our member’s own personal portfolios, we can only say that we are ecstatic to be a part of this project. More on “coin sniping” in the “Mining Strategy” chapter.



5. WHY MINE WITH A TOKEN?

Receiving regular mining results by simply holding MiNE tokens has clear advantages:

First of all, MiNE tokens will be freely tradable and exchangeable, which means users are not paying for years' worth of services in advance and they are not locked in a contract for several years. Users can pick up a few tokens and sell them whenever they please, effectively reducing exposure to the risks associated with mining over time.

Owning a mining rig is a complicated hassle, but at least when it becomes obsolete one can still hope to sell it for parts at around 25% of its original value. Cloud mining services don't come with this option, however. At the end of the contractual period, or when the contract stops performing, the user is left with \$0 residual value. Our token is geared towards appreciating in value over time, and while this is not a guarantee, we are optimistic with our projections so far.

MiNE tokens are designed to withstand network difficulty increase, as opposed to traditional mining contracts, which generate lower and lower results, as the amount of miners joining the action increases constantly.

By comparison, you get \$0 residual value back at the end of a traditional cloud mining contract, but you will be able to trade MiNE tokens freely any time you see fit.

Given the reinvestment factor inherent in MiNE tokens, the underlying computing power will be constantly expanded and gradually transitioned to the newest technology, in order to keep up with network difficulty increase. This reinvestment strategy will help MiNE tokens not to become obsolete, as is the case with mining equipment eventually. This means that the MiNE token, as opposed to other forms of mining, will continue distributing consistent mining results while, at the same time not locking you into a contract or making you purchase something you are not sure you want AND while also increasing the value of its underlying asset over time.



Of course, not 100% of mining results will go directly to token holders, but in the medium to long term, chances are token holders will be in for a much more fruitful mining experience. In exchange for partial reinvestment of profits, you will be getting no contractual lock-in periods and no advance payment of anything, a tendency for asset appreciation instead of inevitable decline to \$0 and increasing underlying computing power instead of fixed hashrate, bound to become useless at some point.

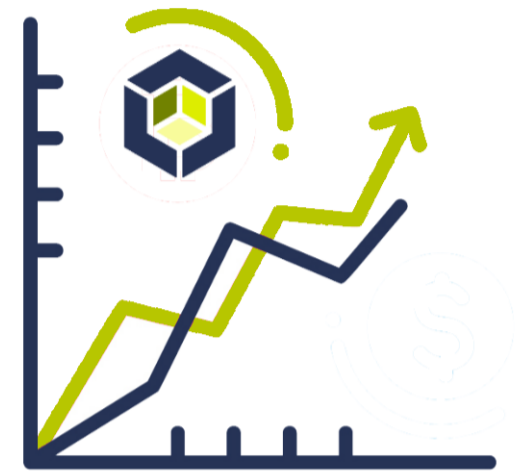
We don't deny that during periods of market correction mining profitability and, as a result, token valuation would be prone to downward momentum, but the damage and psychological pain will not be nearly as great as when mining with a classic cloud service or when mining solo. Most importantly, your chance of making a costly mistake during these unavoidable periods of confusion and anguish is greatly reduced.



6. MINING STRATEGY

We will be treating our computing power as capital waiting to be structured into an investment portfolio. While most processing power will go to the established mining favourites, such as ETH, BTC, XMR and LTC are right now, we will also be mining lower market cap coins with chances of increased profitability.

Additionally, a small “risk capital” share of mining power will be used for what we like to call “coin sniping” of newly listed, high potential coins. Established miners, big and small alike, are well aware of this tactic and we have seen quite a few of our clients obtain commendable results more than once this way.



Another share will be allocated to a “most profitable now” type of mining algorithm, which automatically mines and switches between the most profitable coins to be mined at the respective moment. Results from this type of mining are converted to fiat currency right away, which is used for paying monthly bills.

All low-cap and emerging coins we will mine are not going to be sold for profit right away. In fact, nothing we can afford to keep will ever be sold for immediate profit, as we believe in the great potential for growth the crypto markets have.

We will especially hold on to the coins we will be “sniping”. These coins will have very specific release intervals, times at which these will be sold for BTC or ETH and treated like normal mining results for the corresponding month. This is another factor that will make MiNE tokens prone to upward momentum in price action. Holding and selling of certain coins will also be subjected to a community vote from time to time.

If mining is one’s day job, hobby and livelihood all put together, then this is the only way to do it.



7. MINING RESULTS AND DISTRIBUTION

Mining results will be distributed on a monthly basis, after subtracting Operational and Electricity Costs:

- 70% toward token holders, as automated smart contract operations
- 30% into the reinvestment & expansion fund

The Electrical Bill will have a linear evolution over time, rising as the mine expands, of course, as more processing power equals larger electricity consumption. Given the volatility of mining results versus fiat currencies, it is unfeasible to try and estimate what percentage electricity costs will amount to from the get-go. Percentages will vary between 10% and 20%, depending on market conditions, but it is worth noting that the price we pay for electricity is the lowest price one would be able to obtain in a European Union member country.

Operational Costs will include rent, security contract and working staff salaries. These remain roughly constant, but will increase from time to time, as the mine expands and more help and more space is needed. Due to the nature of the renting agreement we have in place, we are able to rent out only the space we need, from a virtually endless supply of warehouse space (within the boundaries of common sense, of course).

It would not be appropriate to subtract running costs as a fixed percentage from mining results in the long run, as these will represent a smaller and smaller percentage over time, as the operation expands and infrastructure utilization gets filled in.



If we are to face some rough seas on our journey and the predicted percentage would not be enough to cover running costs and/or electricity, we would still need to cut these costs out from mining results, thus having to intervene negatively on expected results. So we will be deducing all essential expenses before calculating actual result distribution. All expenses will be publicly available.



The **Reinvestment & Expansion fund** is where 30% of net mining results goes. This will be the heart of our operation. Through this fund, we will purchase new mining hardware at the right time and under the right market conditions in order to accumulate the most processing power possible.

Reinvesting will expand the hardware capabilities without issuing new tokens, thus making existing tokens more valuable and increasing the size of future mining results. No investment in infrastructure or lateral business development will be made from the reinvestment & expansion fund. The value available through the fund will be used solely for controlled cryptocurrency holding and mining equipment purchase/upgrade, with the ultimate goal of expanding hardware capabilities as much as possible, through balancing profit taking at peak coin valuation moments with hardware availability and suppliers' capabilities.

Most importantly, we will try to seamlessly upgrade mining technology through the reinvestment fund, as we believe that mining with the latest technology is far more important than just piling on old generation machines. The procedure is complex and involves being able to sell off significant quantities of old equipment as long as they are still worth a fair amount. Daunting as it may seem at first, after careful analysis of used equipment offers on the free markets and taking into consideration the trend of constantly increasing demand, this will not be a problem if planned out accordingly.



8. NEW HARDWARE DEPLOYMENT STAGES

New hardware deployment stages will be incremental in value and will flow as a result of new token offering sessions. The maximum fundraising limits each time will take into account hardware availability and capacity expansion potential as main guiding factors.

All expansions and upgrades made through reinvestment will not generate new tokens. New tokens will only be issued when hardware capacity is increased through the influx of new capital in new coin offering sessions. Also, infrastructure upgrades will only be performed using new capital and the reinvestment fund will be used solely for direct increase of processing power, thus maximizing the buoyancy and value accumulation potential of MiNE tokens.

We estimate the first three token offering sessions to have the following funds absorption potential:



Initial Token Sale: (proofing stage):

Maximum value target: \$5,000,000
2MW installed power infrastructure



Second Token Sale:

Expansion maximum value target: \$7,000,000
3MW installed power infrastructure



Third token Sale:

Expansion maximum value: \$10,000,000
7MW installed power infrastructure



9. FACILITIES & INFRASTRUCTURE

Our office is located in Bucharest, Romania. Here is where management, research and software development take place. It's also the place where we can showcase our systems, discuss investment possibilities or have a friendly chat regarding blockchain technology, cryptocurrencies and the clever art of mining.

The mining operation is conveniently located not too far away from our office, on a repurposed industrial platform that used to house one of the many heavy industry giants of the defunct communist regime. The giant has been long asleep, but its warehouses and electrical infrastructure have been preserved, modernized and are now still fully functional. What is remarkable about this particular location is the fact that the electrical output capabilities have not been downgraded or sold off, even if contemporary load levels have never exceeded 10%.

There are more than 10.000sqm of readily available warehouse space, 50.000sqm of land for further expansion, a power output limit of 300MW/h and fully functional electrical infrastructure that is worth its weight in gold for our purposes.



We have also managed to reach favourable agreements with a few hydroelectric plants around the country. Starting from the second hardware deployment stage, we will begin deploying part of our miners within hydro plants rent free and with an even better price for electricity.



10. MINE TECHNOLOGY & INNOVATION

Mining hardware is going to be installed in 20ft containers inside our warehouse, as these provide the following advantages:

Superior air displacement capability for very efficient and cost effective cooling all year round.
(When it comes to cooling down miners, you just can't beat air volume displacement)

Modular design allows for better split testing of various strategies and setups.

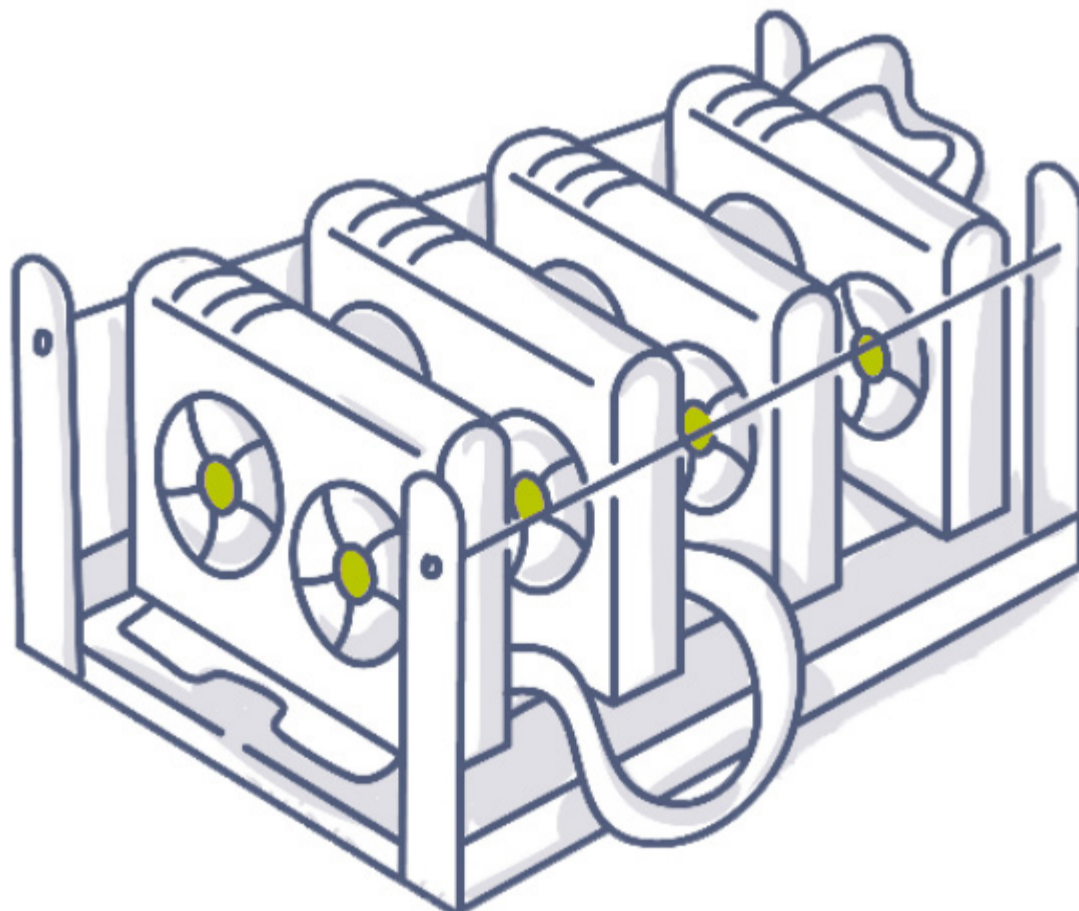
An added layer of physical security

Hardware is always ready for transport, should the need arise.

Much easier to keep organized, tidy and picture-friendly.

MiNE Zealot - GPU mining rig architecture – we managed to find the perfect combinations of hardware configurations, rig engineering and settings fine-tuning in order to obtain bleeding edge performance while maintaining rock-solid stability and minimal hardware failure. We developed the Zealot for retail purposes initially, but the system translates very well to a large scale operation.

Our most popular setup is the Zealot E mining rig, built with AMD high performance boards. It also serves as a performance benchmark for mining power and price.



MiNE Colossus – Our containerized mining solution. A 20ft container packed to the rafters with miners, power cables, vents, fans, filters and controllers. The enclosure is able to achieve high pressure and very large air volume displacement numbers, making it very efficient not only for outdoor use, but also for deployment in large warehouse spaces, which are harder to cool down.

MINE COLOSSUS 20FT CONTAINER UNIT (40 RIG CAPACITY)

ITEM	PRICE
Container	\$2,300
Shelving	\$600
Electrical Infrastructure	\$3,200
Ventilation Setup	\$4,000
IT & Networking Equipment	\$500
Security & Monitoring Configuration	\$600
TOTAL:	\$11,200

MiNE Core - Proprietary Server-Client mining software infrastructure stack. Born out of our own need for fast debugging and deployment automation of computing clusters, the MiNE CORE software stack includes operating systems for deployment server, PXE server and client(miner) machines, automated scripts, remote management engine and monitoring authority console as well as a complete suite of tools, scripts and standardized testing and debugging procedures.

While this software stack is currently for internal use only and under constant development, we will offer the Core management platform as a service in the future.

11. TRANSPARENCY & COMMUNITY INVOLVEMENT

It goes without saying that for an operation such as ours to succeed, transparency and accountability are essential. In order for the uncomfortable questions to get asked as less as possible, we have thought to adopt a policy of maximum transparency from the start.

In our opinion, it will be best for everyone involved if we would document all deployment and expansion operations on a regular basis, through pictures, videos and short summaries in blog format directly on our main website.

Live streaming cameras will also be installed at key points of the facility and will be freely available. We are also taking into account the possibility of having an indoor drone equipped with 360 streaming camera, so our community can get a feel of what it's like to be here with us when working on the actual systems.

Our offices will be **open for visitation** and it would be our pleasure to welcome interested members of the community to discuss the pressing issues of the day and to showcase our operation. We also plan to organize tours of the mining facility in the future, as soon as the first deployment project is complete.

We will **make public relevant information** regarding the reinvestment fund activity: total accumulated values, new significant positions or trades and times when funds will be used for expanding or upgrading processing power. **Mining strategy reports** will be made public and updated on a monthly basis, all low-cap coin wallets used for sniping **will be public** and our community will be able to see all coins we are accumulating for profit taking at a later date.

Every update, purchase, secured deal, contract or notable accomplishment **will be announced and documented**. Old equipment sales will be announced on our community channels first before posting on marketplaces.



12. SERVICE COMPARISON TABLE

	THE MINE	GIGA WATT	GENESIS MINING
Mining Service Type	Fully tokenized mining (token actually generates revenue directly).	Partially tokenized mining (miner hosting & associated service costs are tokenized)	Non-tokenized mining, not tradeable, business performance cannot be measured.
Mining Experience	Hassle free, fully managed solution, no technical knowledge required.	Hassle free, miner hosting management, theoretical mining knowledge required.	Hassle free, easiest to comprehend, mining power rental, no technical knowledge required.
Token's Underlying Asset	Complete cryptomining computing cluster.	Electrical power & hosting infrastructure for cryptomining.	N/A
Contract Lock-in Period	None	None	2 years
Services Paid in Advance	All costs, power consumption and company revenue deduced from mining results on a monthly basis.	Option to pay as you go from mining results or pay everything in advance at a discount.	Everything paid in advance, factored in the purchase price: 2 years' worth of power consumption, operational costs and company revenue
Mining Results Distribution	Fees, costs and revenue are deduced from mining results 1/3 of distributable results is managed and reinvested.	Fees, costs and revenue can be deduced from mining results.	Full mining results distributed on a daily basis.
Reinvestment Policy/ Devaluation Protection	1/3 reinvestment in managed expansion fund. Hashing power increases.	N/A	Only by purchasing more contracts, more of the same underlying asset.
Mining Portfolio Diversity	Fully managed diversified mining policy, including small cap coin sniping.	Host your own miners, unmanaged. You decide.	Low, only 6 large coins are available
Residual Value	MiNE token is engineered for high price buoyancy and geared towards appreciating in value.	WTT token can be traded but hard to correctly value underlying asset (50 years' worth of power & miner hosting).	\$0
Transparency	Good level of transparency Profit margin disclosed.	Good level of transparency.	Opaque operation.
Regulatory Climate	Favourable regulatory climate.	US-based, favourable regulatory climate, highly experienced team.	Favourable regulatory climate.
Managed\Optimized Mining	Yes	No	No
Summary	Moderate initial returns, but return rate is protected by constantly increasing underlying hashing power through the reinvestment fund.	WTT tokens represent saving on power and maintenance costs. It increases the profitability of solo mining. It also makes it a lot easier.	Returns decreases over time, as network difficulty increases but hashing power remains the same. Everything paid upfront also decreases profitability in comparison.
	The perfect hybrid between a mining operation and an investment fund.	Oriented towards mining rig owners and private block-chains.	Established but expensive and rigid.



13. INITIAL TOKEN SALE (MiNE TOKENS)

Our initial fundraising target is \$5,000,000. We think this is a healthy maximum amount, that would not cause any unforeseen growth pains or absorption efficiency issues.

We are aware that this first round of funding is a proofing stage for our business, serving to show everyone watching just how efficient our approach to mining really is, not just in theory, but also as a brick and mortar support for blockchain infrastructure.

Each MiNE token will represent a \$1 contribution during token sale. As the operation expands and results are reinvested, tokens will appreciate in value and subsequent token sales will be conducted at a nominal value determined by taking into account live markets valuation.



The minimum funding goal is \$500,000. If this goal is not met, all received contributions will be refunded in the same currency they were received, the first phase of the project will continue privately, MiNE tokens will be safe kept for future use and R&D will pivot completely towards the MiNE Nexus project, but TheMiNE will not disappear.

Token sale hard cap is set at 5,300,000 MiNE tokens including maximized bonuses. Soft cap, the threshold where the crowd sale will be declared successful and the project will reach peak efficiency is 1,500,000 MiNE tokens. Below this valuation slight adjustments to the funds allocation table might be necessary.

We will issue 6,092,000 MiNE tokens on the Ethereum platform for the initial token sale. Contributions will be possible in ETH, as well as fiat, above a certain threshold. Contributions will be instantly valued in fiat the moment ETH reaches our wallet and the number of purchased MiNE tokens will be determined by rounding up to the full dollar amount. (\$1,343.01 will purchase 1344 MiNE tokens).

Minimum ETH contribution is set at 0.2 ETH and minimum fiat contribution is \$2,000 or equivalent.



The sale will continue until one of the following conditions is met:

1. \$5,000,000 are raised
2. 30 days have passed

The token sale will have 3 stages, each 10 days long. Bonuses will be automatically assigned as follows:

1st phase contributions will receive a 10% token bonus, up to a maximum amount of \$1,500,000.

2nd phase contributions will receive a 5% token bonus, up to a maximum amount of \$1,500,000.

3rd phase contributions will receive no bonus.

Purchase and deployment of mining equipment will begin immediately after the minimum funding goal of \$500,000 is reached and as soon as the first wave of contributions is converted to fiat, in order to make the most of available time and avoid delays.



PRE-SALE

500,000 MiNE tokens will be available for purchase pre-ICO and will offer contributors a 15% bonus. Deposits will also be possible in fiat currency and minimum contribution amount will be set at 3ETH or \$2000.



POST-SALE TOKEN BEHAVIOUR

Tokens will be transferrable shortly after token sale concludes but first mining results will be available after hardware deployment concludes. We estimate between 30 and 60 days will be necessary for initial deployment.

TOKEN ALLOCATION

- 87.0% Token Sale
- 7.0% Founding team
- 3.0% Company Reserve
- 1.0% Advisory Board
- 2.0% Bounty Programs



BUDGETING OF PROCEEDS

- 94.0% Mining Hardware
- 2.0% Initial Infrastructure & Development
- 2.0% Legal, Compliance and Banking
- 1.0% Marketing Budget
- 1.0% Emergency Reserve Fund



14. FUTURE DEVELOPMENT

Our ongoing mission will be to upgrade and expand the mining operation as much as possible through the reinvestment fund and through the influx of fresh capital from additional token sales. We want to be in a constant process of building, expanding and updating our hardware capabilities. Our aim is to have two or three new hardware deployment stages every year.

Putting plans into perspective, MiNE tokens will mean a lot more than just mining revenue in the future. MiNE tokens will be a functional part of the Nexus public mining pool platform and necessary for participating in the future Forge project.



We plan to grow “The MiNE” exponentially over the years to come and bring the idea of further decentralization of mining ownership to a new level, with projects such as a new concept of competitive mining pool, miner management software and proprietary ASIC miner development:

PUBLIC MINING POOL PROJECT (MINE NEXUS)

After having our own pools in place for the more established coins, we will begin development of a public pool which will give smaller mining operations or home miners the opportunity to mine using the same advanced mining strategies we use.

The Open Nexus mining pool will differ from already existing pools in one crucial way – the accumulated mining power will be structured and divided according to our own internal mining strategies, which we predict will be much more lucrative than standard approaches to mining. We believe that the addition of this mining power portfolio structuring element to a publicly accessible pool will drive existing mining pools to become more competitive and motivating.

With the Nexus mining pool project, we want to deliver our level of functionality to the end user and offer everyone, from the home mining enthusiast to the mining operation owner the possibility to copy our strategies in real time.



MINER MANAGEMENT PLATFORM PROJECT (MINE CORE)

Core is what we call the software stack we designed for mining operational management. We plan to focus on improving user-friendliness and structuring it into a SaaS platform as soon as the first few new mining hardware deployment phases stabilize and the Nexus mining pool is up and running.

Aside from all the monitoring, control, overclocking and parameter-altering functionality intrinsic to mining management software, the Nexus software also allows us to easily command and schedule mining power allocation and coin sniping routines, in order to streamline the whole process and keep wasted time to a minimum.

ASIC MINER DEVELOPMENT PROJECT (MINE FORGE)

Our most ambitious and hard-hitting project, the Forge project, will represent our effort to bring mining ASIC technologies closer to the general public and real-world integration. The first goal will be to create our own dedicated mining devices.

In the second phase of the Forge project (freeASIC), research will also be oriented toward functional IoT integration of micro-mining capacities, with concrete real world applications.



15. CONTINGENCY PLAN

Every serious operation should have a backup plan for when the unthinkable happens.

We are very optimistic about the evolution of the cryptocurrency mining sector, as the blockchain and cryptocurrencies gain more ground every day. Mining capacities are also constantly expanding across the world and increasing amounts of private capital are being invested in mining operations, creating a strong ecosystem with its very own means of protecting its own interests.

In our opinion there is still a very long way to go until the proof of work technology can be realistically replaced with something new.



If we are forced to liquidate the business due to lack of profitable activity (*mining disappears*) or the activity being outlawed, all hardware equipment will be sold on the open markets and resulting proceeds will be distributed among token holders fairly, by a last come first served rule, as new token holders will, in theory, risk losing the most.

Should this very unlikely case happen, fairness is the word you should remember, as the exact reimbursement methodology shall be determined at the time.

In case of natural disaster, theft, sabotage, etc. we will have insurance. If the magnitude of the event forces us out of business, proceeds from the insurance claim will be distributed fairly among token holders.



